



H2O SteamFX™

Pro.

USER'S GUIDE



## Table of Contents

|   |    |
|---|----|
| INTRODUCTION TO THE H2O SteamFX™ Pro HANDHELD STEAMER ..... | 03 |
| IMPORTANT SAFEGUARDS.....                                   | 04 |
| KEY FEATURES .....  | 06 |
| OPTIONAL ACCESSORIES.....                                   | 07 |
| INSTRUCTIONS FOR ASSEMBLY AND USE.....                      | 08 |
| OPTIONAL ACCESSORY USE.....                                 | 09 |
| AFTER USE.....  | 12 |
| CLEANING AND MAINTENANCE.....                               | 13 |
| TROUBLESHOOTING GUIDE.....                                  | 14 |
| TIPS.....   | 14 |

## Introduction to the H2O SteamFX™ Pro Handheld Steamer

The H2O SteamFX™ Pro Handheld Steamer has a high degree of cleaning and degreasing power on a wide variety of surfaces. The steam emitted from the tip helps remove dirt, grease and grime. As the H2O SteamFX™ Pro uses ordinary tap water without additives, it is environmentally friendly.

### ⚠ CAUTION

- Never direct steam towards people, animals or plants, or other objects unable to withstand high temperatures. Avoid skin contact with the steam jet. The high temperature may cause serious physical injury including burns. Do not use the steamer on cold glass as the steam may cause the glass to break or crack.

### ⚠ IMPORTANT

- During warm up (20-30 seconds after plugging unit in) "spits" of water may emit with some steam if any water remained in the unit after previous use.
- It is normal to hear a pulsing noise during use, indicating that the steamer is producing steam.
- Steam and/or "spits" of water may emit after turning the unit off until the unit is completely cooled down.

**Thane Direct and its affiliated companies assume no liability for personal injury or property damage resulting from the misuse of the H2O SteamFX™ Pro Handheld Steamer, including the failure to comply with the instructions contained in this User's Guide or provided by the manufacturer or distributor of the treated surface.**

**Note:** This unit has been tested and may contain traces of water inside the water tank.

**IMPORTANT SAFETY INFORMATION**  
**READ ALL INSTRUCTIONS BEFORE USING THIS STEAM CLEANER**

| Technical Data |                                  |
|----------------|----------------------------------|
| Name           | Steam Cleaner                    |
| Model No.      | KS-7880                          |
| Rated voltage  | 120V 60HZ or 220-240V 50-60HZ    |
| Rated power    | 1200W (120V) or 1300W (220-240V) |
| Tank capacity  | 320ml                            |

## Important Safeguards

PLEASE READ ALL PRODUCT INSTRUCTIONS CAREFULLY. FAILURE TO FOLLOW THE PRODUCT INSTRUCTIONS WILL VOID ANY WARRANTY.

USE YOUR H2O SteamFX™ Pro HANDHELD STEAMER ONLY AS DIRECTED IN THIS MANUAL AND ONLY WITH THE MANUFACTURER'S RECOMMENDED ACCESSORIES. USE OF ATTACHMENTS OR ACCESSORIES NOT PROVIDED OR SOLD BY THE MANUFACTURER OR BY AUTHORIZED RESELLERS MAY CAUSE FIRE, ELECTRIC SHOCK OR INJURY.

AS WITH ANY ELECTRICAL APPLIANCE, BASIC PRECAUTIONS SHOULD ALWAYS BE OBSERVED WHEN USING THIS PRODUCT, INCLUDING THE FOLLOWING:

1. Verify that the main voltage indicated on the Rating Plate on this appliance corresponds with the voltage of your electrical outlet.
2. In order to protect against risk of electric shock, only plug this appliance into properly grounded outlets.
3. This appliance is designed for household use only. Do not use outdoors. Commercial use of the H2O SteamFX™ Pro voids the manufacturer's warranty.
4. Do not leave the H2O SteamFX™ Pro unattended while plugged in.
5. Close attention is necessary when used near children, pets or plants. Never direct steam towards people, animals or plants, as hot steam emission may cause scalding.
6. Do not allow the H2O SteamFX™ Pro to be used as a toy. Children should be supervised to ensure that they do not play with this appliance.
7. This appliance is not intended for use by persons with physical, sensory or mental impairments unless they are instructed and supervised during use by an able and experienced adult responsible for their safety.
8. Do not handle the plug or the H2O SteamFX™ Pro with wet hands or operate without shoes. Do not immerse the H2O SteamFX™ Pro in water or other liquids. The liquid or steam should not be directed towards equipment containing electrical components, such as the interior of ovens.
9. Do not use this appliance with a damaged cord or plug. If it is not working as it should, or if it has been dropped, damaged, left outdoors, or immersed in water, return it to the distributor. If the supply cord is damaged, it must be replaced by the manufacturer or a qualified repair facility to avoid any hazard.
10. Never force the plug into an outlet or pull or carry the unit by the cord. Do not use the cord as a handle, close a door on the cord or pull the cord around sharp edges or corners. Keep the cord away from heated surfaces.
11. Do not use extension cords or outlets with inadequate current-carrying capacity, and in order to avoid circuit overload, do not operate another appliance on the same socket (circuit) as the H2O SteamFX™ Pro.
12. To disconnect the H2O SteamFX™ Pro remove the plug from the outlet.
13. Unplug the unit after each use or before servicing. In order to safely unplug the unit, grasp the plug and gently pull. Do not unplug the unit by pulling on the cord.
14. Do not insert any objects into steam openings in the unit or use it with its steam opening blocked.
15. Store your H2O SteamFX™ Pro indoors in a cool and dry place. Never leave the H2O SteamFX™ Pro outdoors.
16. Keep your work area well lit and use extra caution when using on stairs.
17. Do not use the unit without water in the Water Tank.

## Important Safeguards - Continued

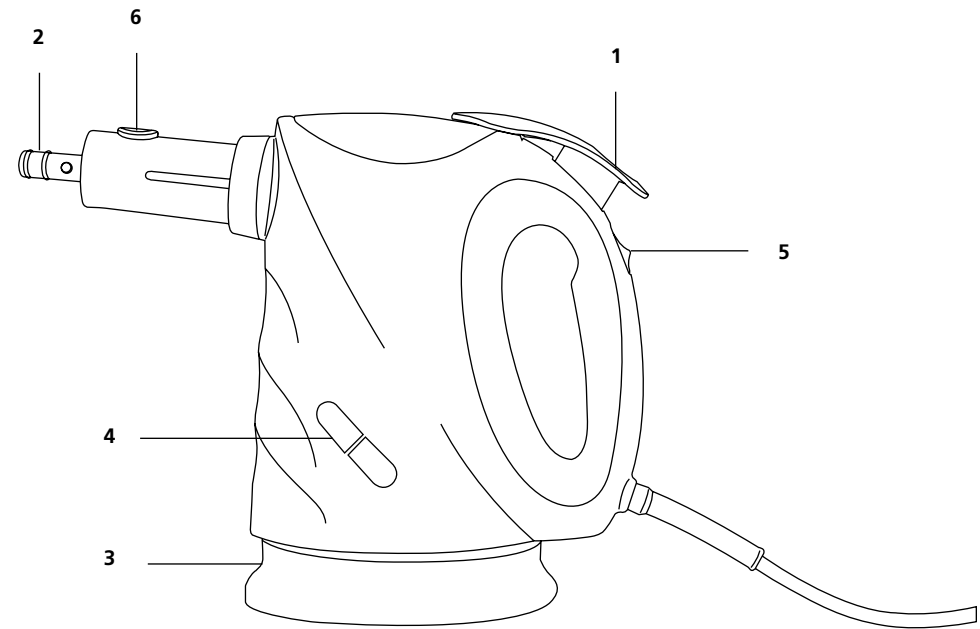
18. Stop using the H2O SteamFX™ Pro if you observe water leakage, and contact a qualified technician.
19. Never put hot water or liquids such as alcohol-based or detergent products into the Water Tank. This will make operation unsafe and damage the unit.
20. Always keep the steam opening clear of any obstructions. Avoid placing the steam opening on soft surfaces to avoid blocking the flow of steam. Keep the steam opening free from lint, hair and other potential obstructions to ensure proper steam flow.
21. Do not use the H2O SteamFX™ Pro in spaces that are exposed to flammable, explosive or toxic vapor such as paint thinner or oil-based paint.
22. Do not use on leather, wax-polished furniture or floors, unsealed hardwood or parquet floors, synthetic fabrics, velvet or other delicate steam-sensitive materials.
23. Do not use this appliance for space heating purposes or place it on or near hot surfaces such as a hot gas or electric burner, or in a heated oven.
24. Do not use this appliance for other than its intended use.
25. Do not spray steam on any device that includes electrical components.
26. This appliance and steam nozzle can become hot during use. Before disassembling or replacing the cloth, please disconnect the power supply and wait until the appliance is cooled down.
27. Do not place any cleaning solvent, fragrance or alcohol into the water tank. Otherwise, the appliance could be damaged.
28. Please disconnect the power supply before cleaning this appliance, use a dry or a slightly moistened cotton bud. In case of damages to the appliances appearance, do not use alcohol, benzene or diluent to clean the surface.
29. Please place this appliance in dry interior rooms. Remove the cleaning cloth before storage.
30. This appliance is not intended for any other use or for uses beyond those mentioned here. People who lack the physical or mental capacity or experience should avoid using the product, those mentioned here should not carry out cleaning and user maintenance tasks without supervision.
31. Do not use on non-sealed floors or unglazed bricks.
32. Do not use on polished floors as high temperature of steam may strip the floor finish.
33. When cleaning wooden floors, please test on a small area or consult your wooden floor manufacturers for maintenance instructions to avoid any unnecessary damages.
34. When cleaning wooden floors, do not stay in the same area for an extended period of time, as it may cause deformation and damage the floor surface.



**WARNING: Danger of scalding**

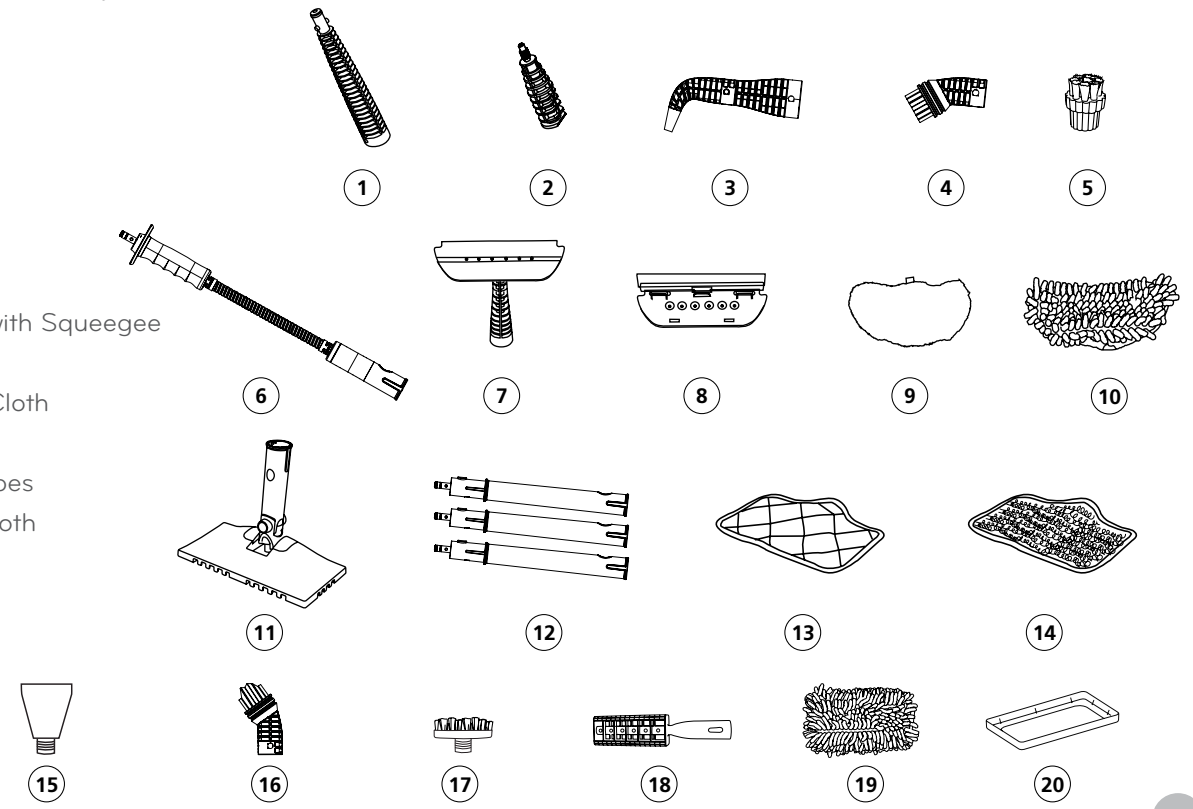
## Key Features - Main Unit

1. Steam Switch
2. Steam Outlet
3. Water Tank
4. Power Indicator Light
5. Safety Lock
6. Steam Connector Button



## Key Features - Optional Accessories

1. Long Nozzle
2. Short Nozzle
3. Bent Nozzle
4. Round Brush
5. Metal Brush
6. Extension Hose
7. Garment Tool
8. Window Cleaner with Squeegee
9. Garment Cloth
10. Window Cleaner Cloth
11. Mop
12. Mop Extension Pipes
13. Microfiber Mop Cloth
14. Coral Mop Cloth
15. Scraper Tool
16. Grout Tool
17. Scrubbing Pad
18. Duster
19. Coral Cloth
20. Carpet Glider



## Instructions for Assembly and Use

1. Find the Water Tank located in the box. Remove the Water Tank Cap and fill with water to the "MAX" fill indicator line on the water tank, and then secure the water tank cap in place. Place under the main unit and screw into position following the Lock & Unlock marking on the Water Tank

2. Attach an accessory to Steam Outlet as indicated in the "Accessories Usage" section.

3. Plug the appliance into an electrical outlet. The Red Indicator Light will turn ON.

4. Wait approximately 20-30 seconds. When the steamer is ready to emit steam the Green Indicator Light will turn ON. Press and hold the Steam Switch to emit steam.

**Note:** During usage the Green Indicator Light will turn OFF when

the appliance re-heats and will turn ON again once it reaches the operating temperature. However, the appliance will continuously emit steam, as long as the Steam Switch is pressed and water tank is filled with water, regardless if the Indicator turns ON. RED light will remain ON when plugged in.

**IMPORTANT! Do not touch the nozzle or any other attachments as they can get hot.**

5. Slowly Pass over the surface to be cleaned.


6. To stop emitting steam release the Steam Switch button.


**IMPORTANT:** After the Steam Switch is turned OFF steam will continue to flow for a short period of time (approximately 10 - 15 seconds) until all steam inside the entire system is released.

7. When the appliance stops emitting steam it means that the Water Tank needs to be refilled. Release the Steam Switch button and unplug the appliance from the electrical outlet. Fill the Water Tank with water as described in step 1 and then follow steps 3-5 above.

### Using the Safety Lock:

The Safety Lock can be used 2 ways.

1. Press the Safety Lock to the locked  position when the unit is powered on to prevent accidentally activating the Steam Switch to produce steam.

2. Press the Safety Lock to the locked  position when pressing the Steam Switch down to produce steam. This allows you to release your thumb from the Steam Switch. Simply click the Steam Switch again or press down on the Safety Lock to deactivate it and stop the steam.

## Optional Accessory Usage

### Assembling the Mop Accessory

1. Assemble the 3 Extension Pipes by fitting the steam outlet into the opening of the next Extension Pipe and the final Extension Pipe into the Mop Head as indicated in Fig. A.

**Tip:** You can adjust the height of the unit by using 2 Extension Pipes instead of 3.

2. Attach the Extension Pipe to the Steam Outlet of the main unit as shown in Fig. B.

3. Attach the Mop Cloth to the Mop Head by attaching it to the underside of the Mop Head as shown in Fig. C

4. When using the H2O SteamFX™ Pro on carpeting or rugs; Place the Mop Head with Microfiber Cloth in place, on top of the Carpet Glider as illustrated. Do not attempt to use the H2O SteamFX™ Pro on carpeting or rugs without the Carpet Glider in place. Only use the microfiber cloth on carpets. Never use the Carpet Glider on surfaces that are prone to scratching.

5. When finished remove the Mop Cloth from the Mop Head and wash as needed.

### WARNING:

Before using, make sure the mop has been assembled with Mop Cloth attached to the Mop Head to prevent damage.

**Notice:** This product emits steam and creates moisture. Water marks, discoloration or damage to the floor surface can occur if the unit is left operating too long in one place.

Never leave the H2O SteamFX™ Pro Handheld Steamer unattended while plugged in.

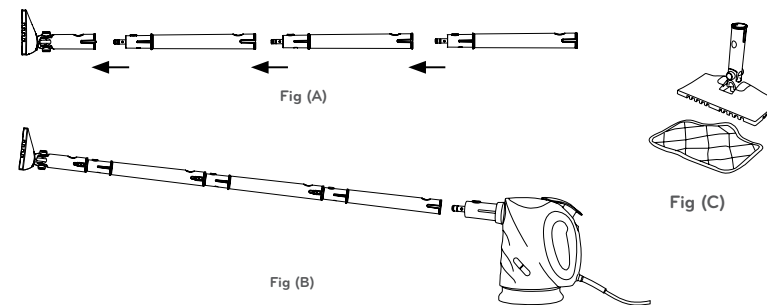
### For Best Results:

1. Sweep or vacuum floor prior to using the H2O SteamFX™ Pro Handheld Steam Cleaner.

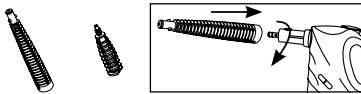
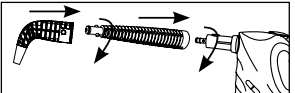
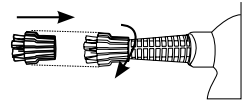
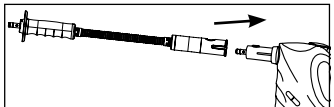
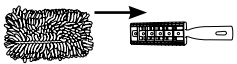
2) To avoid puddling of water, the Microfiber Cloth must be clean and dry for use. To replace the cleaning cloth, proceed as follows: Let the cleaning cloth cool down, remove cloth from unit, replace with a new Microfiber Cloth (Optional Item) and continue use.


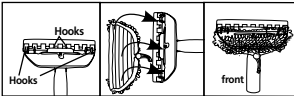
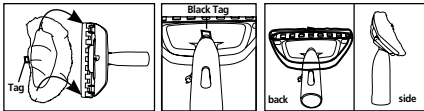
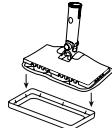
3) To sanitize an area of your floor, leave the H2O SteamFX™ Pro Handheld Steam Cleaner over the steam area for about 10 seconds, but no longer than 15 seconds. Do not carry out this procedure on heat and steam sensitive floors.

- Never steam at one spot for too long. This can cause floor surface damage.
- Do not put hands or feet under the steam mop. Unit gets very hot.
- During use, a pulsing noise may be heard indicating that the mop is producing steam. This noise is normal.
- There may be some minor "spitting" of water mixed with the steam. This is also normal.
- The force and heat of the steam may adversely affect certain materials. Always check the suitability of using the steam mop on a surface by carrying out a preliminary test on a hidden area.



# Optional Accessory Usage

| Part and Usage   | Assembly  | Tips/Caution  |
|--|---|---|
| <b>Long/Short Nozzle</b><br>For general steam cleaning.  | Attach to the Steam Outlet of the main unit, twist to lock.   | Make sure the Nozzle is locked into place.  |
| <b>Bent Nozzle</b><br>Great for cleaning counters and sinks and getting into hard to reach places.   | Attach to the Long or Short Nozzle, twist to lock.    | Make sure the Bent Nozzle is locked into place.   |
| <b>NYLON BRUSH</b><br>The Round Brush is great for cleaning smooth hard surfaces, such as toilets, sinks, and kitchen counters, etc. It can be used with soap or detergent to clean dirty areas. | Metal/Round Brush can be attached to any of the steam nozzles.<br>Attach the Round Brush/Metal Brush by twisting onto the end of the Jet Nozzle.  | Use different color brushes for particular cleaning areas (kitchen, bathroom, etc.)   |
| <b>METAL BRUSH</b><br>Can be used on hard surfaces that are not prone to scratches, i.e. car rims, BBQ, etc.   |   |   |
| <b>EXTENSION HOSE</b><br>This 75cm/30" Extension Hose is designed for use with the following attachments:<br>- Window Cleaning Tool<br>- Duster  | Attach the open end of the Extension Hose onto the Steam Outlet of the main unit, until the Safety Button clicks into place.                      | Make sure the Extension Hose is securely locked into place before use. When in use, keep the Extension Hose away from your body and avoid touching the hose as it can get hot.<br><br>Do not pull the Extension Hose with excessive force, as it might cause damage and result in a steam leak. |
| <b>DUSTER WITH CORAL CLOTH</b><br>Slowly pass over surface to be cleaned. The absorbent Coral Cloth picks up the dirt loosened by the steam.   | Install the Coral Cloth onto the Duster frame and attach the Duster to the Extension Hose.    |   |

|  |  |   |
|--|--|---|
| <b>WINDOW CLEANING / GARMENT STEAMING TOOL</b><br>Attach to the Extension Hose or the main unit directly, and in combination with one of the available cleaning cloths. Use this tool for window cleaning and garment steaming.      | Align the lock pegs on the Extension Hose with the designated hole on the Window Cleaning Tool Frame and turn the Window Cleaning/Garment Steaming Tool until it locks in place.<br>Install cleaning cloth of your choice onto the Window Cleaning Tool.  |   |
| <b>WINDOW CLEANING CORAL CLOTH</b><br>Use it to clean windows, mirrors and glass.  | Install the Coral Cloth over the Window Cleaning Tool. Do not cover the squeegee blade when installing the cleaning cloth. Make sure to attach the cloth to all hooks on the Cleaning Tool Frame to avoid slipping from the frame during use.             | Do not use steam on frozen windows.<br><br>Be careful when using the steamer on glass, as the glass may break.  |
| <b>GARMENT CLOTH</b><br>To steam a garment, place item of clothing on a hanger and steam the garment directly. Slowly slide the Garment Steamer Head vertically over the garment to smooth the fabric and remove wrinkles and odors. | Install the Garment Steaming Cloth over the Window Cleaning Tool.   | Some fabrics like leather, suede, and velvet may not be suitable for steaming. Please refer to the manufacturer's care label.<br><br>Curtains and draperies can be steamed while hanging. |
|  | Attach to the Long or Short Nozzle, twist to lock.   | Make sure the Scraper Tool is locked into place.  |
| <b>CARPET GLIDER</b><br>Use it on carpeting or rugs  | Place the Mop Head with Microfiber Cloth in Place, on top of the Carpet Glider.   | Only use the microfiber cloth on carpets, never use the Carpet Glider on surfaces that are prone to scratching  |

## After Use

1. Unassemble each accessory when finished cleaning. Disconnect the power supply and pour out the remaining water in the Water Tank. Allow the steam cleaner to cool down for 3 to 5 minutes.
2. Remove the Mop Cloth (CAUTION: Accessories may still be hot) ) and clean in washing machine or by hand.
3. Store the steam cleaner in a dry location away from direct sunlight.

TIP: To ensure top performance, it is recommended to replace the Mop Cloth every 2-3 months.



**To avoid damage to the Mop Cloth, do not twist forcibly.**



To avoid calcification of the heating element, disconnect the power supply after the steam stops (when the green indicator is on).

## Cleaning & Maintenance

**DISCONNECT THE UNIT FROM THE POWER OUTLET DURING CLEANING AND MAINTENANCE.**



**DO NOT IMMERSE THE H2O SteamFX™ Pro HANDHELD STEAMER IN WATER.**

### **Cleaning procedure to remove lime scale**

If your H2O SteamFX™ Pro begins to produce steam slower than usual or stops producing steam, you may need to remove lime scale. It is necessary to remove lime scale on a regular basis, every 25 times you use a full tank of water or once a month, especially in areas with hard water. To remove lime scale from your H2O SteamFX™, please follow these instructions:

### **Using a cleaning solution**

1. Prepare a solution of 1/3 white vinegar and 2/3 water and add to the Water Tank.
2. Ensure that steam released is aimed away from any surrounding objects. Plug the appliance into a properly grounded electrical outlet, turn it ON and allow the unit to produce steam until the vinegar/water solution is used up.
3. Repeat the above procedure as many times as necessary until a normal steam flow is achieved.
4. Fill the Water Tank with fresh water and rinse out.
5. Fill the Water Tank with fresh water again, and release steam through the system until the Water Tank is empty.
6. Perform a test cleaning on a suitable isolated area after each lime scale removal to ensure that there is no debris left in the system.

### **To clean calcium deposits building up inside the Water Tank:**

Add 1-2 tablespoons of white vinegar to a full Water Tank, close the Water Tank Cap and shake the contents. DO NOT TURN THE APPLIANCE ON. Let the unit sit for a few hours. Empty the Water Tank and rinse with clean water until it rinses clear.

### **Cleaning blocked steamer accessories:**

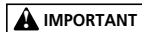
Due to the high mineral content of water in some areas, some calcium buildup might develop inside the tip of the Nozzle. To clean, it is recommended to use a spray lubricant. Spray a small burst or two of the lubricant inside the tip of the Nozzle. After spraying the lubricant, fill the steamer with water and run a continuous jet of steam through the affected accessory for several minutes to remove the deposit.

IT IS RECOMMENDED PERFORMING THIS PROCEDURE IN A PROTECTED AND WELL-VENTILATED AREA.

## TROUBLESHOOTING GUIDE

| Problem                        | Possible Cause                                  | Solution  |
|--------------------------------|---|---|
| The unit does not power on     | The unit is not plugged in or turned ON         | Make sure the unit is plugged into a properly grounded outlet and the ON/OFF Switch is ON (red indicator light is on) |
| Reduced steam or no steam      | Water Tank is empty                             | Fill Water Tank   |
|                                | Blocked Steam Nozzle                            | Clean the Nozzle  |
|                                | Lime scale deposit                              | Follow cleaning procedure to remove lime scale  |
| Steam escapes from connections | Attachment is improperly connected              | Unplug the unit, allow it to cool down, detach the accessories and reattach them properly                             |
|                                | Debris or obstructions at the connection points | Remove the accessory and check and clean connection points  |

## TIPS



**Remember to remove lime-scale at least once a month, especially in areas with hard water.**

**Please follow instructions provided in this User's Guide.**

**Use filtered or distilled water for better performance.**

## NOTES:

---



---



---



---



---



---



---



---



---



---



---



---



---



---





Distributed by:

Thane Canada Inc.  
Mississauga ON L4W 5M6,  
Canada  
[www.thane.ca](http://www.thane.ca)

Thane USA, Inc.  
Canton OH 44718, U.S.A.  
[www.thane.com](http://www.thane.com)

Thane Direct UK Limited  
London EC1Y 8NA, UK  
[www.thane.tv](http://www.thane.tv)

Danoz Direct Pty Ltd.  
Mascot NSW 2020, Australia  
[www.danoz.com.au](http://www.danoz.com.au)

Operadora Ainoa, S.A.P.I. DE C.V.  
Avenida Magnocentro #5 Piso 1  
Huixquilucan Estado de México  
C.P: 52760  
[www.mejorcompratv.com](http://www.mejorcompratv.com)

TVNS Scandinavia AB  
SE-211 18 Malmö, Sweden  
[www.tvns.com](http://www.tvns.com)

MADE IN CHINA

© 2017 Thane IP Limited.

"Thane", "H2OsteamFX Pro" and related logos and variations are trademarks or registered trademarks, in Canada and/or other countries, of Thane IP Limited and/or its affiliated companies.

H2OsteamFX Pro MNL ENG R3 170926