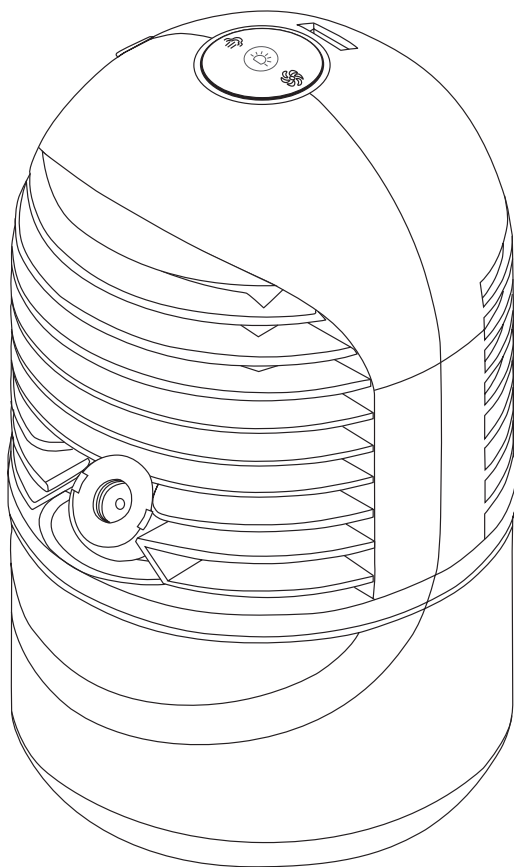


Z O O H N Ultra Chill™

Personal Cooler & Humidifier



User's Guide

Please read all instructions carefully before using this product.
Retain this manual for future reference.

FEATURES

Congratulations! on your purchase of the Zaahn Ultra Chill™, Personal Cooler & Humidifier to keep you cool and comfortable during the hot season and hydrated in dry climates. Quiet ultrasonic mist maker silently infuses the space around you with cool and moisturized air.

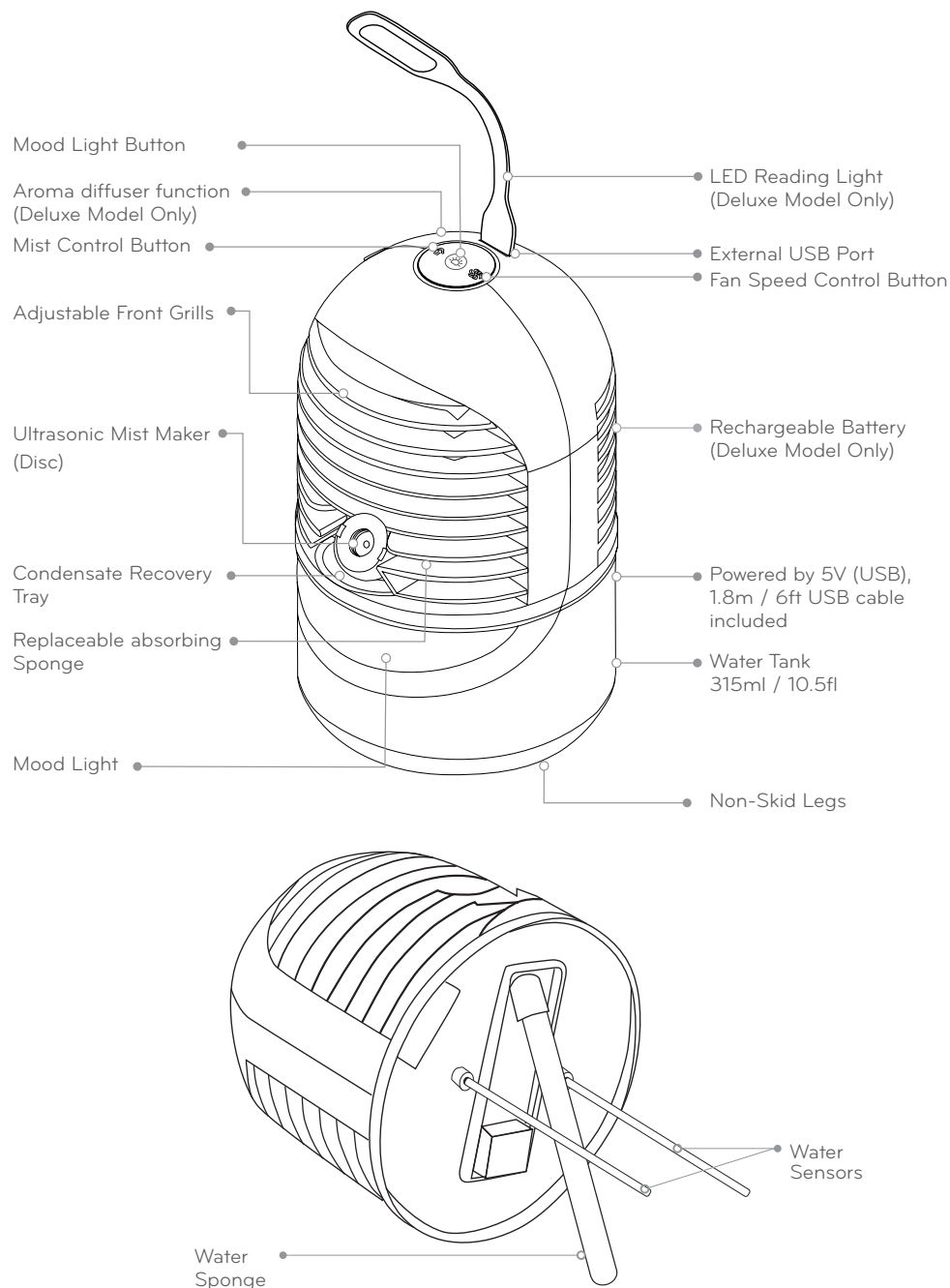
It is so compact that it can sit on your desk at work or anywhere at home to provide a cool burst of air when and where you need it.

⚠ WARNING

- Only use the USB Cord or/and accessories supplied in the package.
- Do not place Zaahn Ultra Chill™ near a heater and/or heat source (e.g, kitchen stove, oven etc.) or near open flames or fire sources.
- Do not allow any foreign objects inside the Zaahn Ultra Chill™.
- Do not block the grills of the device.
- Do not submerge the device under water or other liquids.
- The manufacturer does not bear any responsibility for any damage from failure to comply with this product guide.
- People with limited physical, visual or mental abilities should not use the device without supervision.
- Exercise caution when carrying Zaahn Ultra Chill™ with full tank of water to avoid spillage.
- Do not place in direct sunlight for prolonged period of time.
- This devise can be switched OFF completely only when disconnected from the power supply.

THANE ASSUMES NO RESPONSIBILITY FOR ANY INCIDENTAL OR CONSEQUENTIAL DAMAGES ARISING OUT OF YOUR USE OF THE PRODUCT.

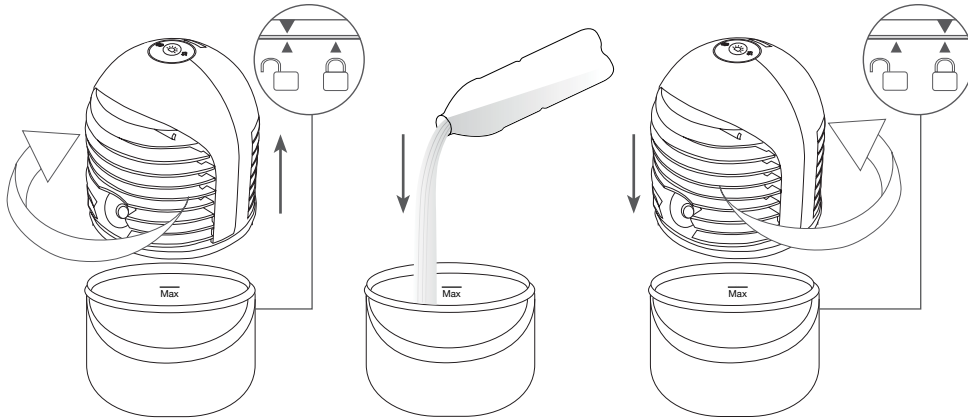
IN PURCHASING AND USING THIS PRODUCT, YOU ASSUME ALL RESPONSIBILITY FOR CORRECTLY USING AND MAINTAINING THE PRODUCT.



NOTE: One replacement water sponge is included in your package

HOW TO USE

1. Remove the water tank by detaching it from the main body, as illustrated. Fill with water up to Max level mark (approximately 12mm / 1/2" from the top). Attach the main body to the water tank, as illustrated.

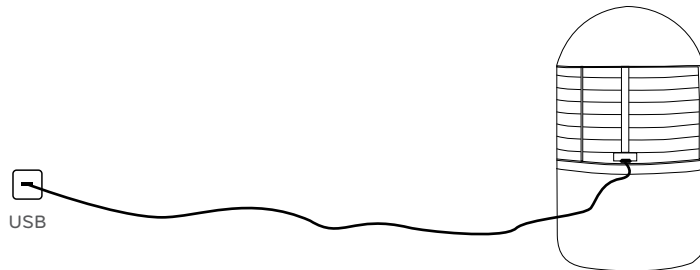


NOTE:

While it is possible to use tap water, preferably filtered, it is recommended that distilled water be used, especially in areas with hard water. If you use tap water in your device you will need to periodically clean the ultrasonic disc as explained in the Maintenance section.

CAUTION Do not add essential oil into the water tank, to avoid damage in the device

2. Position Zaahn Ultra Chill™ on a flat surface. Plug the Micro USB into the unit and plug the other end of the cord into any USB outlet (5V, 1.0-2.0 A), or for Deluxe model (5V, 1.5-2.0 A)
All Functions: Mist, Fan and Mood Light are in Stand By Mode.



IMPORTANT!

Before use let the Water Sponge absorb water for at least 1-2 min after filling tank. If device still doesn't emit mist, it is recommended to remove the water sponge as explained and soak it under cold running water. See HOW TO REPLACE WATER SPONGE section.

When the water tank runs out of water the ultrasonic mist maker will stop working and the mood light will blink 5 times.

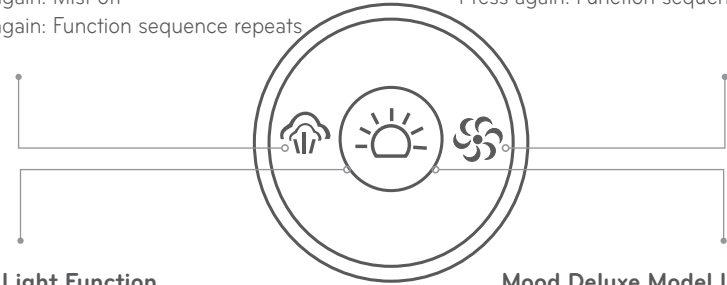
3. How to use Control Buttons

Mist Button

Press once: Continuous mist with slow fan speed - Humidifier and cooling function
Press again: Intermittent mist with slow fan speed - Humidifier and cooling function
Press again: Mist off
Press again: Function sequence repeats

Fan Button:

Press once: Low fan speed - Cooling function
Press again: Medium speed - Cooling function
Press again: High speed - Cooling function
Press again: Off
Press again: Function sequence repeats



Mood Light Function

Press once: Blue light on
Press again: Light off
Press again: Function sequence repeats

Blue light blinks 5 times:

Water tank is empty, add water and press the mist control button

Stop Function: Press and hold any button on the control panel, all functions including Mist, Fan and Mood Light will STOP.

Mood Deluxe Model Light Function

Press once: Night Blue light on
Press again: Light Blue light on
Press again: Aqua light on
Press again: Apple Green light on
Press again: Purple light on
Press again: Mood Light off
Press again: Function sequence repeats

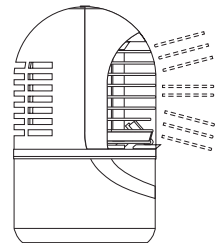
Red light blinks 5 times:

Water tank is empty, add water and press the mist control button

NOTE:

Zaahn Ultra Chill™ is an evaporative cooler. This type of cooler works better in a dry climate. High humidity conditions decrease the cooling capability of evaporative cooler.

4. Use the Multi-Directional grills to adjust airflow to your preferred position.



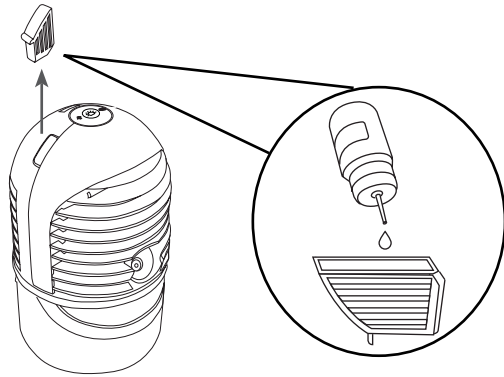
5. Charge the battery: **(Deluxe model only)** Connect the micro USB into the unit and plug the other end of the cord into 5V/1.5 -2.0A USB charger. Charging time is approximately 3 Hours. Rechargeable battery is not replaceable

NOTE:

When charging, the mood light will appear in blue and change from dim to bright slowly and continuously. Blue light will turn off once unit is charged.

6. Aroma Diffuser (Deluxe model only)

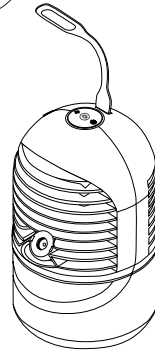
Remove the cover with the Aroma sponge compartment and put a few drops of your favorite essential oil onto the Aroma sponge. Put the Aroma compartment back in place.



CAUTION Do not add essential oil into the water tank, to avoid damage in the device

7. LED Night Light (Deluxe model only).

Plug the Night Light attachment into the external USB outlet located on the top of the device. Make sure that the USB cord is plugged. The Night Light will turn On. To turn Off the Night Light unplug it from the external USB outlet.

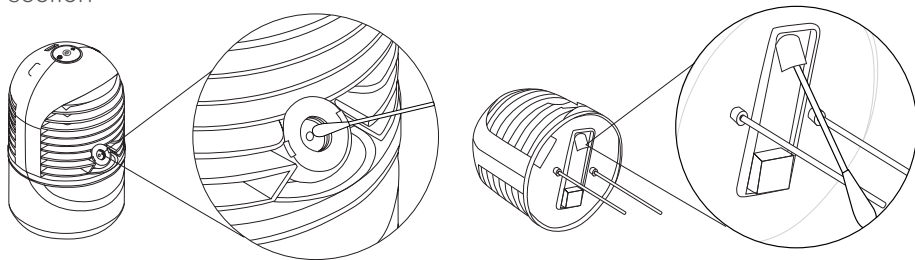


MAINTENANCE

CAUTION Unplug the device when cleaning, replacing parts or moving the device.

HOW TO CLEAN ULTRASONIC MIST MAKER (DISC)

For optimum performance the ultrasonic disc should always be shiny clean and free of any limescale (foggy) deposits. You need to clean the ultrasonic disc as soon as you notice limescale deposits on the disc. This can vary from a weekly to monthly basis depending on the frequency of use and the hardness of water. To clean, use a cotton swab and dip it into a mixture of ½ white vinegar and ½ water and rub the outer and the inner surface of ultrasonic disc with cotton swab, as illustrated, until you remove all deposits from the disc. In order to clean the inner surface of the ultrasonic disc, you will need to remove the water sponge. See HOW TO REPLACE WATER SPONGE section

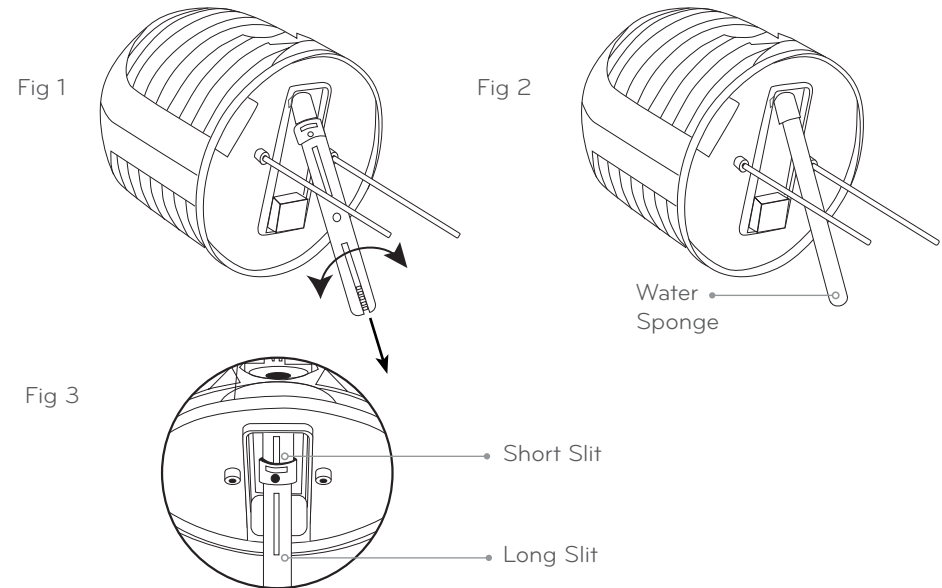


HOW TO REPLACE WATER SPONGE

We recommend replacing the water sponge every 2 months based on 4 hours/day use, or sooner if using the device for longer periods of time, if hard tap water is used, or if the device is emitting less mist than usual. One replacement water sponge is included in your package.

1. Remove the water tank by detaching it from the main body. (See step 1, in How to Use)
2. Remove the long water sponge cover, located under the main body, by turning it 90° to the left or right and then pulling it out, as illustrated in Fig 1.
3. Replace the water sponge. Fig 2.
4. Align the short slit on the short water sponge cover with the long slit on the long water sponge cover and push the long water sponge cover to lock the water sponge in place. Fig 3.

Please contact the customer service where you purchased your device from to order more replacement water sponges.



WATER TANK

Always keep water tank clean and dry when not in use. If needed it can be hand cleaned with warm soapy water and rinsed thoroughly.

HOW TO REPLACE AROMA SPONGE (DELUXE MODEL ONLY)

To replace Aroma sponge, simply remove it from the Aroma compartment and replace.

Please contact the customer service where you purchased your device from to order more replacement water sponges or aroma sponges.



Distributed by:

Thane USA, Inc., Canton OH 44718, U.S.A.
Thane Canada Inc., Mississauga ON L4W 5M6, Canada
Thane Direct UK Limited, +44 (0)20 3455 8520 www.thane.tv
Danoz Direct Pty Ltd., Mascot NSW 2020, Australia
Operadora Ainoa, S.A.P.I. DE C.V., Avenida Magnocentro #5 Piso 1,
Huixquilucan Estado de México C.P: 52760
TVNS Scandinavia AB, SE-211 74 Malmö, Sweden

"Thane", "Zaahn Ultra Chill™" and related logos and variations are trademarks or registered trademarks, in Canada and/or other countries, of Thane IP Limited and/or its affiliated companies.

© 2019 Thane IP Limited.

Made in China

Zaahn Ultra Chill MNL ENG RO 190318